

Rental Chiller

155 Ton



General System Data

Fully packaged system, completely assembled, arrives on job site ready for installation in minimal time. Chiller package includes pump matched specifically to range of operation, piping (includes pump bypass).

Equipment Features & Options

- 20' single-tandem gooseneck trailer
- 20 hp pump package
- Booster pump options
- Pump bypass option
- Louvered condenser hail guards
- Single point power
- Control transformer
- R-134a refrigerant
- Flow switch with safety interlock
- Voltage – 460V / 60Hz / 3Ø
- Circuit Breaker/s
- Across the line start
- Service isolation valve
- BAS Options

Basic Equipment Data

Refrigerant	R-134a
Ambient Range	0-115°
Chilled Water Setpoint	40-60°
Refrigerant Circuits	2
# Compressors	2
Equipment Insurance Value	\$124,000

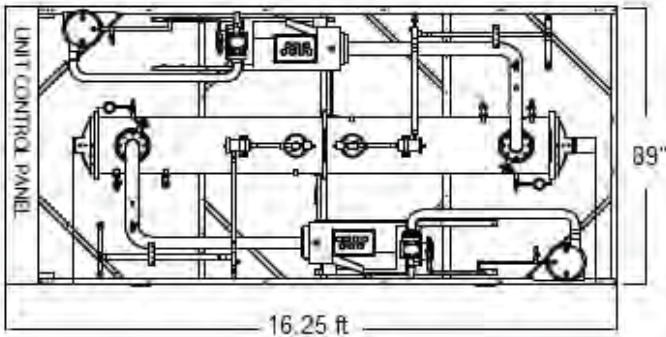
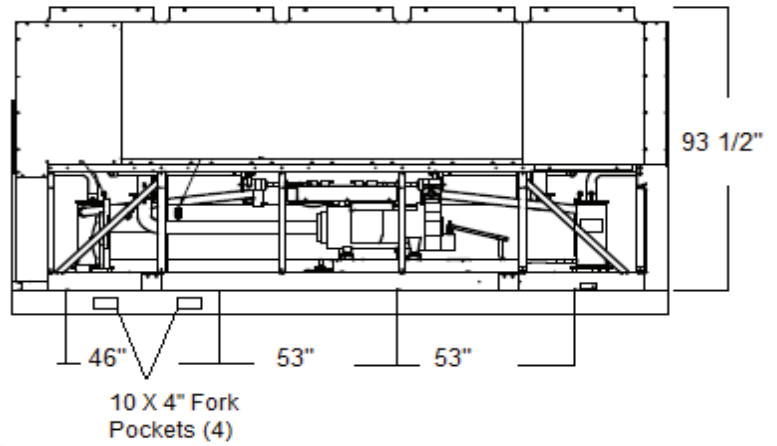
Electrical Data

Nominal Voltage	460V / 60Hz / 3Ø
Single Point Power Connection (1 per Ø)	16 Series Cam Type
MCA (single point power connection)	319
MCA (single point power connection w/ pump)	342
RLA (single point power connection)	284
RLA (single point power connection w/ pump)	307

* A separate 115 / 60 / 1, 20 amp customer provided power connection is required to power the evaporator heaters (1640 watts).

Physical Data

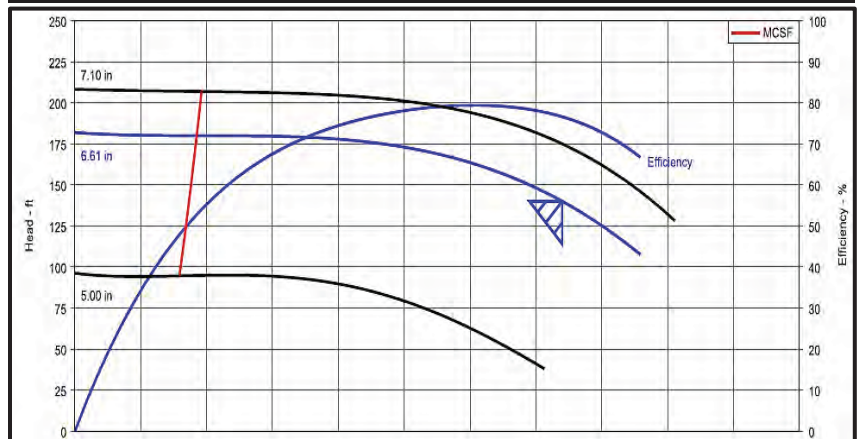
Length	16.25'
Length (with trailer)	20'
Width	89"
Width (with trailer)	102"
Height	93.5"
Height (with trailer)	133.5"
Operating Weight	11,748 lbs.



Pump Data

Flow	370 GPM
Head	140 FT
Horsepower	20
RPM	3500
Cycle	60
Phase	3Ø
FLA	23

Pump Performance



Evaporator Data

Water Storage	32 Gallons
Minimum Flow	214 GPM
Maximum Flow	785 GPM
Nominal Flow	372 GPM
Water Side Max PSI	150 PSI
Water Connections	4" Flanged

Evaporator Water Pressure Drop

