

# Rental Cooling Tower Package

## 1000 Ton

Open Circuit Cooling Tower

### General System Data

Fully packaged unit, completely assembled, arrives on job site ready for installation in minimal time.

### Basic Equipment Data

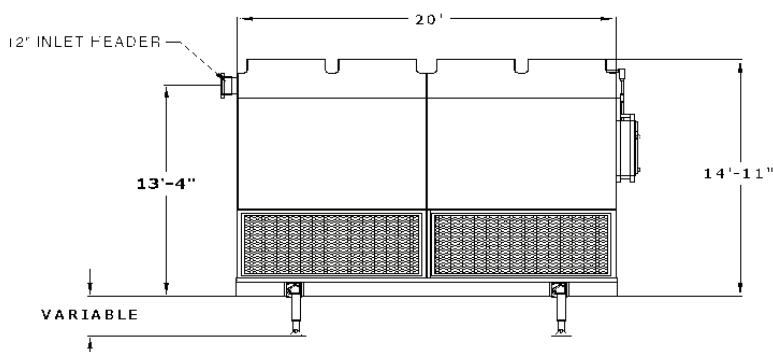
Fluid Type	Water
Flow (GPM)	3,000 GPM
Entering Fluid Temp (F°)	95°
Leaving Fluid Temp (F°)	85°
Wet Bulb (F°)	78°
# Fans	8
Fan Motor Horsepower (1)	15 hp
Inlet Water Connection Size	12" Flanged
Outlet Water Connection Size	12" Flanged
Make-up Water Connection Size	2"
Overflow	(2) 4" dia. FPT/Man.
Chemical (Optional)	(1) 2" dia. FPT/Man.
Equipment Insurance Value	\$150,000

### Electrical Data

Nominal Voltage	460V / 60Hz / 3Ø
Single Point Power Connection (1 per Ø)	16 Series Cam Type
Total HP	120
FLA	180 Amps

### Physical Data

Length	20'
Width	142"
Max Height	14' 11"
Shipping Height	10' 8"
Operating Weight	34,800 lbs.
Shipping Weight	29,200 lbs.



### Equipment Features & Options

- Epoxy coated steel basin with urethane lining
- Automatic temperature control
- Matched pump options
- (8) Direct Drive Fans
- NEMA 4X starter panel, fittings and TEAO motors
- FRP structure with ultraviolet inhibitors and fire retardant additives
- Stainless steel eliminator supports, support clips, and mounting brackets
- High efficiency low fouling combination PVC cellular sheet.
- Enclosed PVC/FRP header system with polypropylene clog-resistant nozzles.

